

cozaint[®]

BOBBY

Physical Security

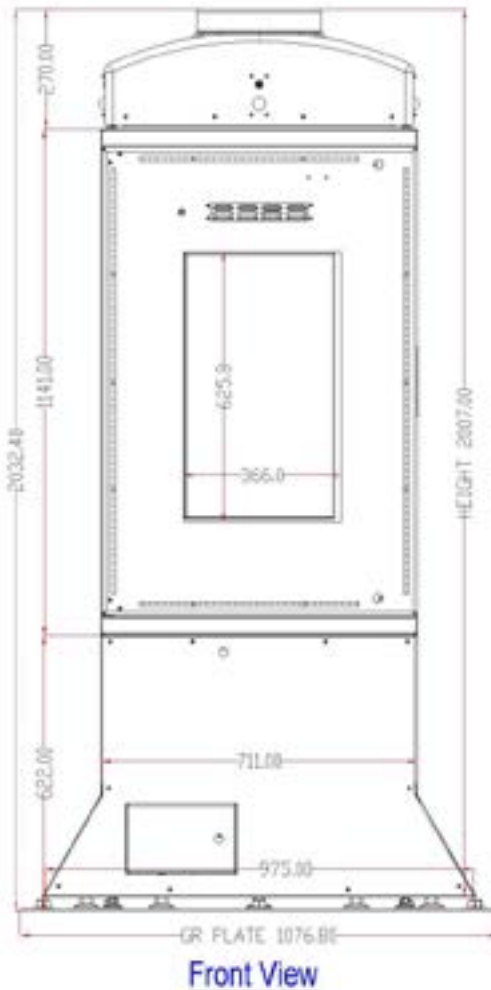
Kiosk Tower



*Specifications
Data Sheet*

www.cozaint.com

BOBBY Tower Specifications



Main Unit:

Height: 79" / 2007MM

Width: 19" / 480MM

Depth: 38" / 960MM

Weight: 286Lbs / 130KG

Installation Ground Plate:

Length: 42.5" / 1076MM

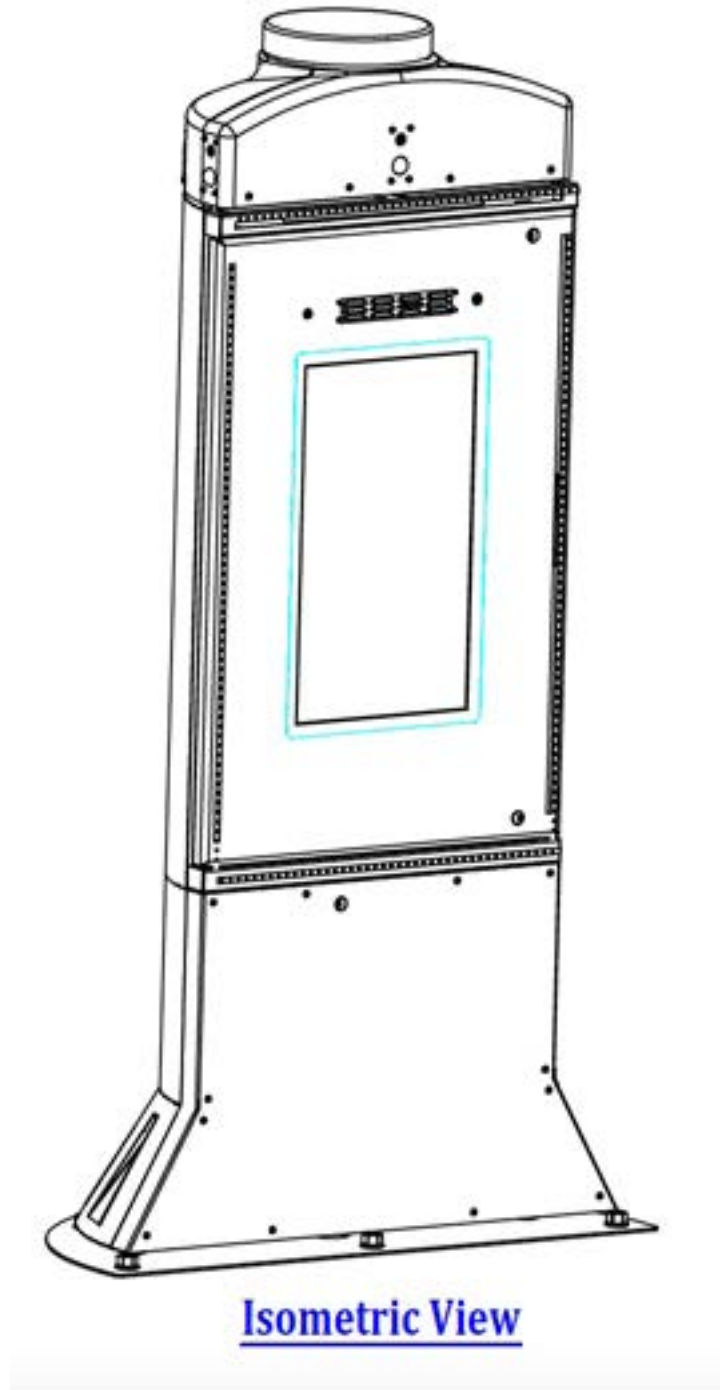
Width: 19.3" / 589MM

Thickness: .1" / 3MM

Primary Components:

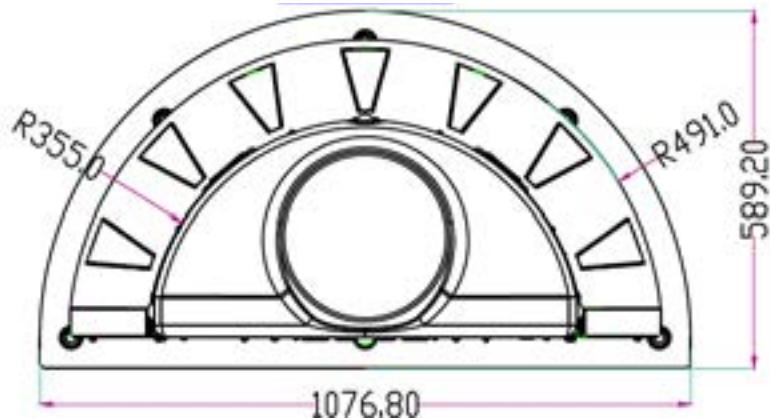
- Four (4) 1080p Video Surveillance Cameras
- 27" Touchscreen Video Display
- Wraparound LEDs
- WiFi Connectivity w/Cellular Capability
- Anchor Studs On Ground Plate For Secure Installation
- Bottom Front Panel Access Door
- 2.5" (63mm) Rear Cable Access Port
- 3" Round Bottom Ground Plate Access Port
- RJ45 CAT6e Network Cable Connectivity
- Meanwell GST280A12-C6P AC/DC Power Adapter
 - + Operating Temperature range: -30~ to +70°C
 - + Safety approval: UL 62368-1 listed
 - + Complies with EISA 2007/ DoE, NRCAN, AU/NZ MEPS, EU ErP and CoC Version 5

BOBBY Tower Specifications

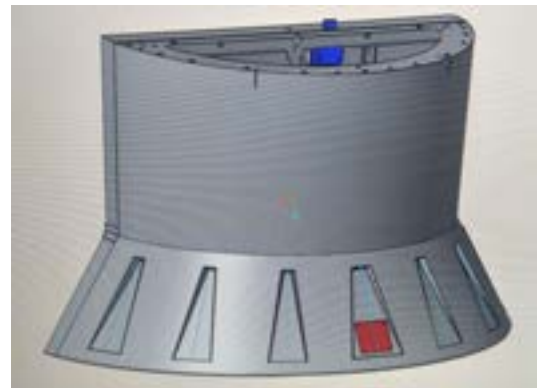


BOBBY Tower Specifications

Top View Including Ground Plate



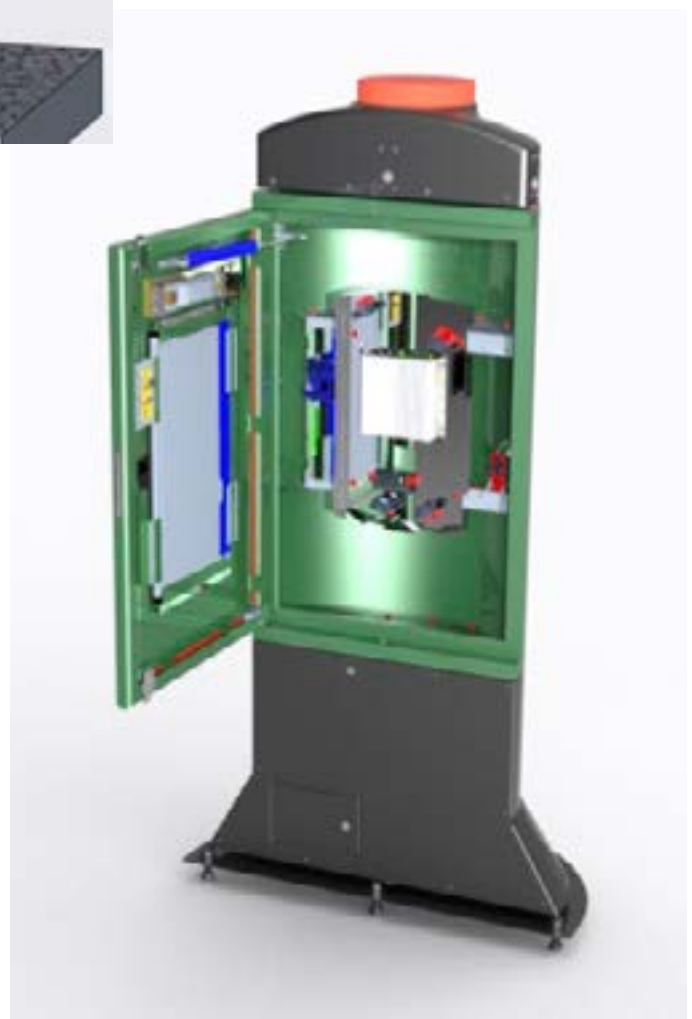
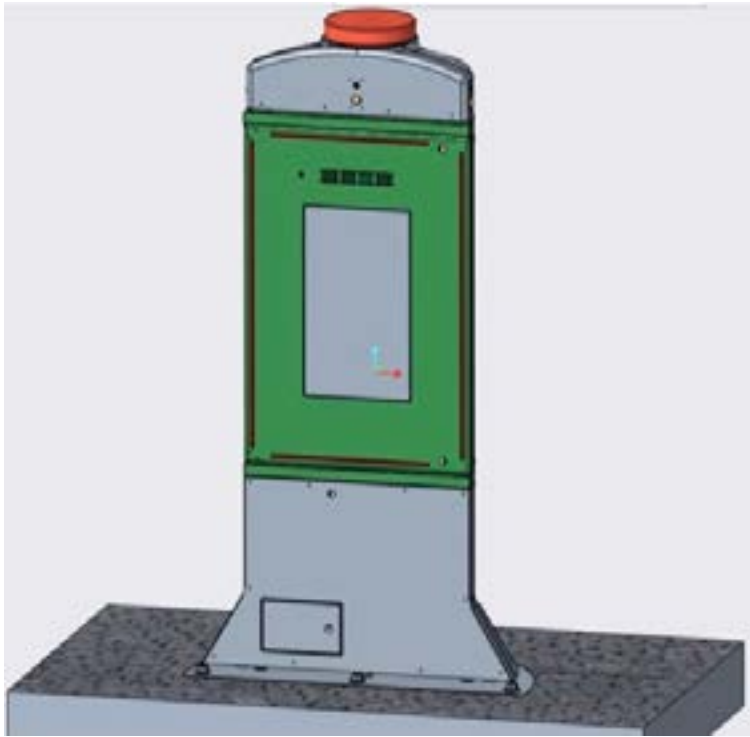
Bottom Section (Featuring Rear Access Port)



General Installation Procedure:

- Determine where the BOBBY kiosk tower will be placed and positioned
- Determine if power and network will be trenched to location or run above ground
- Bring 110VAC power and Ethernet cable to this location
 - + 110VAC will need standard 3-prong outlet
- Lay the Ground Plate and spike to the ground (insure ground stability)
- Erect the Tower Bottom section to the ground plate
- Connect and insert power and network cables through Tower Bottom section
 - + Pass cables via back access port OR Ground Bottom Plate
 - + Utilize the front access door for cable connections
- Erect Tower Main section to the Tower Bottom section
- Pass network and DC power cable to Tower Main section
- Erect Tower Top section to the Tower Main section
- Power up Tower and insure network connectivity

BOBBY Tower Specifications





Get In Touch

 760-975-8000

 www.cozaint.com

 info@cozaint.com

 18134 SW 92 Court, Palmetto Bay, FL 33157